

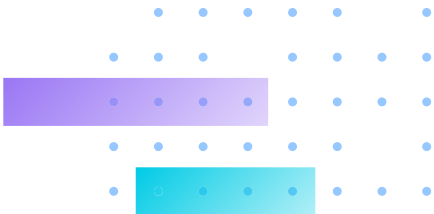
# FD9392-EHTV-0

AI-Camera

8MP • Edge AI • Driven by OSSA • Azena OS • 50M IR • IP67 • IK10 • NEMA 4X

- 30 fps @ 3840x2160
- H.265 Compression Technology
- Built-in IR Illuminators, Effective up to 50 Meters
- Driven by OSSA, Running on Azena OS (Based on Android Open Source Project)
- Powerful SoC with a Built-in AI Engine
- Supports a Variety of VCA Solutions through Azena Apps
- Weather-proof IP66/IP67, Vandal-proof IK10 and NEMA 4X-rated Housing
- -50°C ~ 60°C Wide Temperature Range for Extreme Weather Conditions (IR Off)





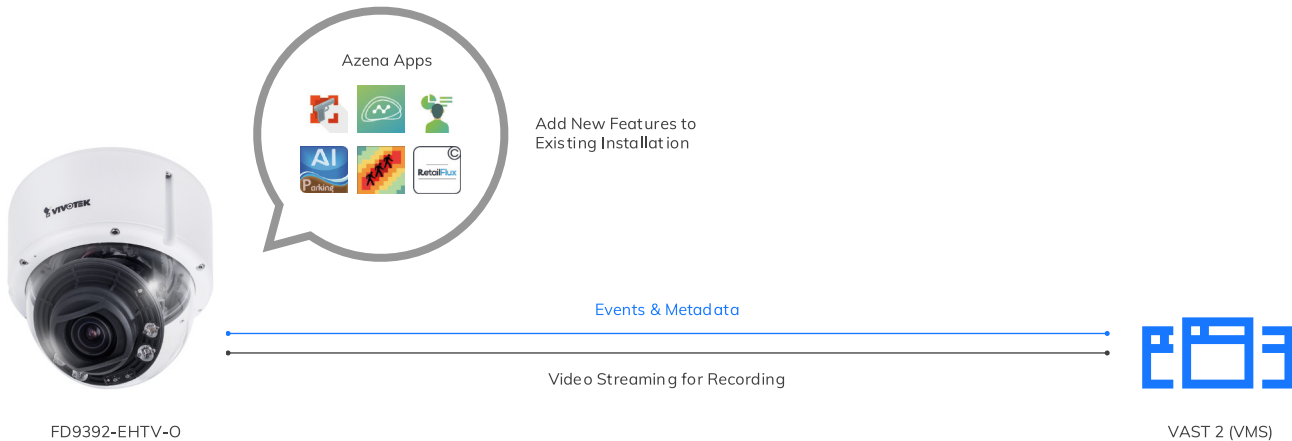
## Overview

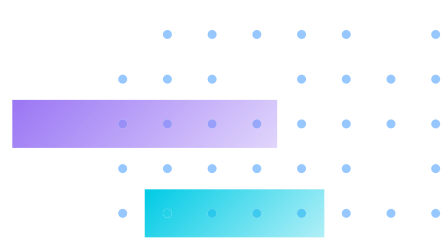
VIVOTEK's FD9392-EHTV-O employs the Qualcomm chip and is running on Azena OS, which is an operating system based on the Android Open Source Project. It can process video content analysis and calculation for AI-related applications on edge. The FD9392-EHTV-O is an AIoT intelligent network camera.

Since FD9392-EHTV-O is a Driven by OSSA device, user can download and install Apps on FD9392-EHTV-O via the Azena App Store, and empowers it with various intelligent video content analysis applications such as facial recognition, license plate recognition, and behavior detection. User can install and operate multiple Apps on FD9392-EHTV-O at once for more versatile, intelligent, and effective applications.

The FD9392-EHTV-O is equipped with Qual-Core SoC based on the Qualcomm Vision Intelligence Platform, AI technology, and the neural processing engine of the Adreno 615 GPU, and Hexagon DSP. It supports hardware acceleration for deep learning, powerful visual computing and edge computing performance that can optimize AI image processing capabilities.

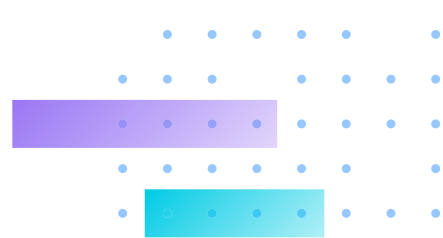
## AI-Camera Solution





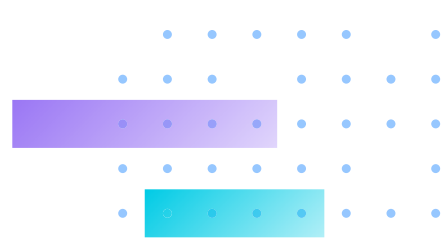
## Technical Specifications

<b>System Information</b>	
Model	FD9392-EHTV-O
CPU	Multimedia SoC (System-on-Chip)
Flash	16GB
RAM	4GB
Image Sensor	1/1.8" Progressive CMOS
Max. Resolution	3840x2160 (4K/8MP)
Lens Type	Motorized, Vari-focal, Remote Focus
Focal Length	3.9 ~ 10 mm
Aperture	F1.5 ~ F2.7
Iris type	P-iris
Field of View	119° ~ 45° (Horizontal) 63° ~ 25° (Vertical) 142° ~ 52° (Diagonal)
Shutter Time	1/10 sec. to 1/33,333 sec.
Day/Night	Yes
Removable IR-cut filter	Yes
IR Illuminators	Built-in IR Illuminators up to 50 meters
Minimum Illumination	0.28 Lux @ F1.5 (Color) <0.005 Lux @ F1.5 (B/W) 0 Lux with IR illumination on
Pan Range	353°
Tilt Range	80°
Rotation Range	180°
<b>Video</b>	
Compression	H265, H264
Maximum Frame Rate	30 fps @ 3840x2160
Maximum Streams	4 simultaneous streams
S/N Ratio	53.5 dB
Dynamic Range	69.6 dB
Video Streaming	Adjustable resolution, quality and bitrate
<b>Network</b>	
Protocols	DHCP, DNS, HTTP, HTTPS, IPv4, IPv6, RTSP/RTP/RTCP, NTP, TCP/IP

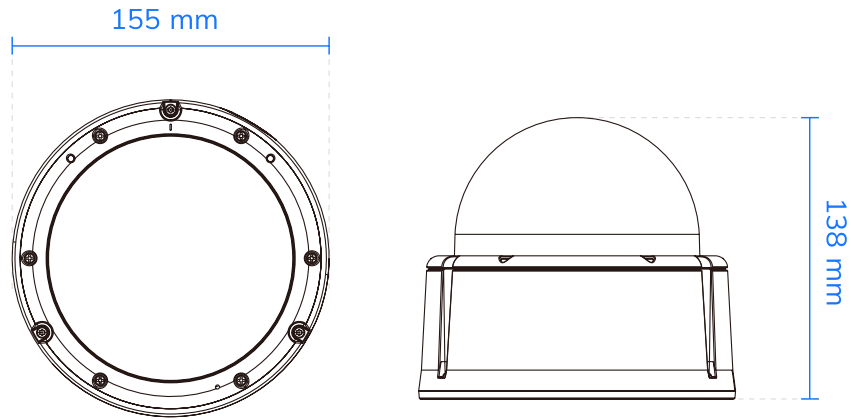


## Technical Specifications

Interface	10 Base-T/100 Base-TX/1000 Base-T Ethernet (RJ45)
ONVIF	Support ONVIF device discovery, video streaming and metadata
<b>Solution Integration</b>	
VCA	Supported by Azena Apps
Embedded App	iNSIGHT Event Adapter
Event Protocol	MQTT, REST, HTTP GET/POST, ONVIF Event/Metadata
<b>General</b>	
Connectors	RJ-45 cable connector for 10/100/1000Mbps Network/PoE connection *1 DC 12V power input*1 DC 24V power input*1 Digital input*1 Digital output*1
LED Indicator	System power and status indicator
Power Input	IEEE 802.3af Class3 PoE AC 12V DC 24V (Power Redundancy)
Power Consumption	Max. 25 W
Dimensions	Ø 155 x 138 mm
Weight	1,343 g
Casing	IP66, IP67, IK10, NEMA 4X
Safety Certifications	CE, FCC Class A, VCCI, C-tick, UL, BIS
Operating Temperature	Starting Temperature: -40°C ~ 60°C (-40°F ~ 140°F) Working Temperature: -50°C ~ 60°C (-58°F ~ 140°F) (IR off) Working Temperature: -50°C ~ 50°C (-58°F ~ 122°F) (IR on)
Humidity	95%
Warranty	36 months
<b>System Requirements</b>	
Web Browser	Windows: Mozilla Firefox, Chrome, Microsoft Edge Mac OS: Safari Linux: Chrome
Other Players	VLC: 1.1.11 or above
<b>Included Accessories</b>	
Others	Waterproof connectors, desiccant bags, alignment sticker



## Dimensions



## Compatible Accessories

### Mounting Kits



AM-21A  
L-shape Bracket

### Mounting Kits



AM-525  
Mounting Adapter

### Mounting Kits



AM-51C  
Adapting Plate

### Mounting Kits



AM-713  
Conduit Box